

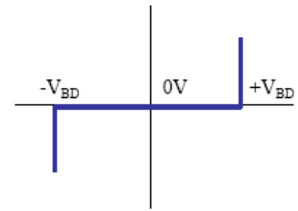
FEATURES

(16kV) IEC 61000-4-2 rating
Surface Mount Package
High component Density

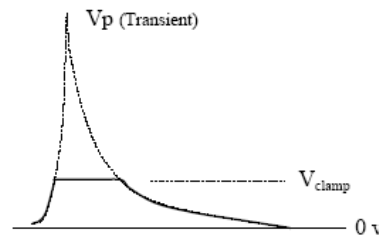
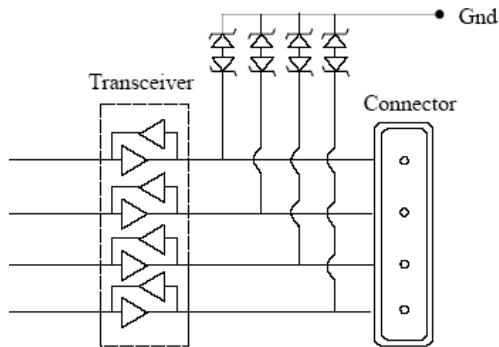


APPLICATIONS

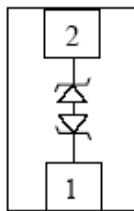
ESD Suppression
Transient Suppression
Automotive CAN bus



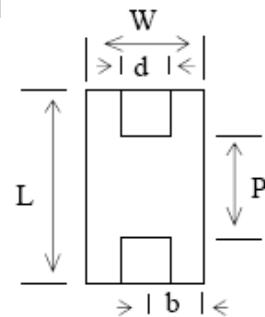
APPLICATION



FUNCTIONAL BLOCK DIAGRAM



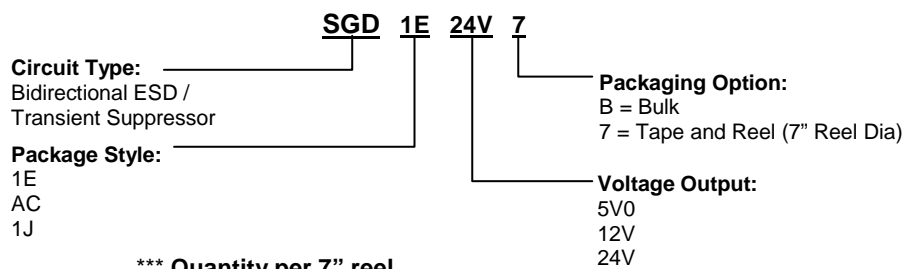
PACKAGE DIMENSION



Dimensions in (mm):

Package Code	Package Power	Number of Pins	L ± 0.1	W ± 0.1	b ± 0.1	P ± 0.01	Pkg. Height ± 0.01	d ± 0.1
1E	100mw	2	1.1	0.75	0.38	0.33	0.75	0.35
AC	100mw	2	1.0	0.60	0.30	0.40	0.55	0.50
1J	100mw	2	1.6	0.80	0.40	0.50	0.75	0.60

ORDERING INFORMATION



*** Quantity per 7" reel
1E = 4,000 units
AC = 3,000 units
1J = 4,000 units



ELECTRICAL CHARACTERISTICS

Specifications: (Ta = 25oC)

Symbol	Characteristic	Min	Typ	Max	Units
TOP	Operation Temperature Range	-55	-	+ 155	0C

24V Characteristic (CAN bus)

Symbol	Characteristic	Min	Typ	Max	Units	Test Condition
VBD	Diode breakdown voltage	25	28		V	IF = 1 ma
IL	Leakage current		0.1	2.0	uA	24v
CT	Capacitance		10		pF	@ 1Mhz
VESD	Channel clamp voltage		-	± 25	V	8kV event
VPV	Peak ESD voltage capability			16	kV	IEC 61000-4-2
Ipp *	Peak Pulse Current			600	mA	8 / 20 us

12V Characteristic

Symbol	Characteristic	Min	Typ	Max	Units	Test Condition
VBD	Diode breakdown voltage	13	17		V	IF = 1 ma
IL	Leakage current		0.1	2.0	uA	12v
CT	Capacitance		12		pF	@ 1Mhz
VESD	Channel clamp voltage		-	± 17	V	8kV event
VPV	Peak ESD voltage capability			16	kV	IEC 61000-4-2
Ipp *	Peak Pulse Current			2.2	A	8 / 20 us

5V0 Characteristic

Symbol	Characteristic	Min	Typ	Max	Units	Test Condition
VBD	Diode breakdown voltage	5.1	7.0		V	IF = 1 ma
IL	Leakage current		±0.1	± 2.0	uA	5v
CT	Capacitance		15	20	pF	@ 1Mhz
VESD	Channel clamp voltage		-	± 7.0	V	8kV event
VPV	Peak ESD voltage capability			16	kV	IEC 61000-4-2
Ipp *	Peak Pulse Current			5.1	A	8 / 20 us